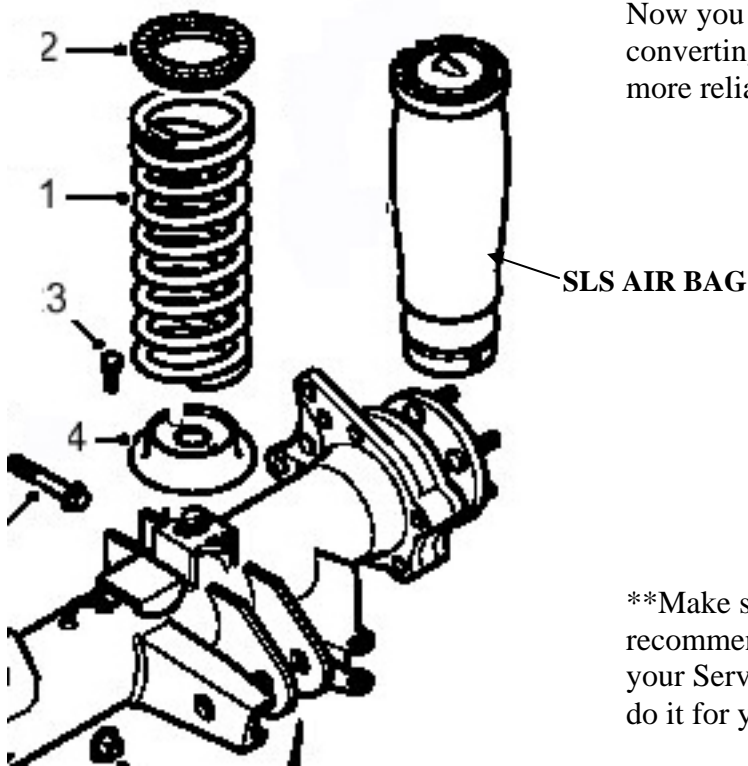


Converting your Land Rover Discovery Series II SLS Air Bag suspension to Coil Spring Suspension

(Applies to Model Years 99-04 with SLS Option)

To convert to a Rear Coil spring is straight forward. You will need to obtain the following components to allow for the installation of Rear Coil Springs:

- 1) The OME Rear Coils Spring Option you would like to install
- 2) Genuine LR Rubberized Spring Isolators Dealer PN: ANR2938 (2 Pieces)
- 3) Bolts to Hold down the new Spring Seats
- 4) Genuine LR Spring Seats Dealer PN: ANR3578 (2 Pieces)



Now you are ready to begin
converting your SLS suspension to a
more reliable Coil Spring setup.

**Make sure you follow
recommended fitting instructions per
your Service Manual or have a shop
do it for you

